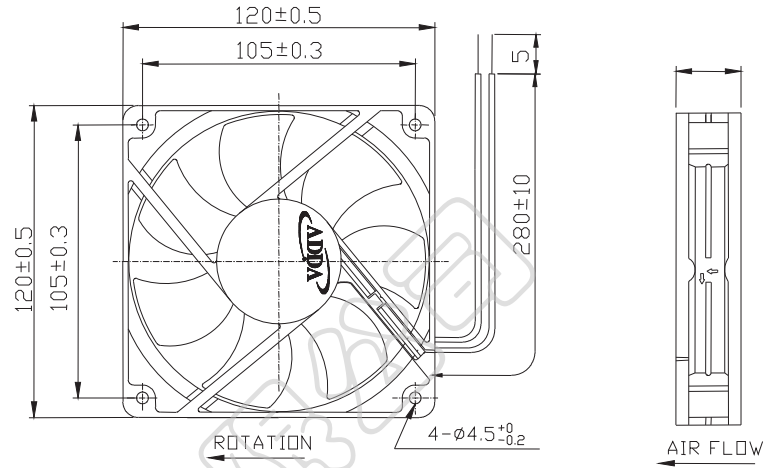




# AQ12025 SERIES

## External Dimensions



Frame: Plastic(UL:94V-0)  
 Impeller: Plastic(UL:94V-0)  
 Lead wire: UL1007AWG24

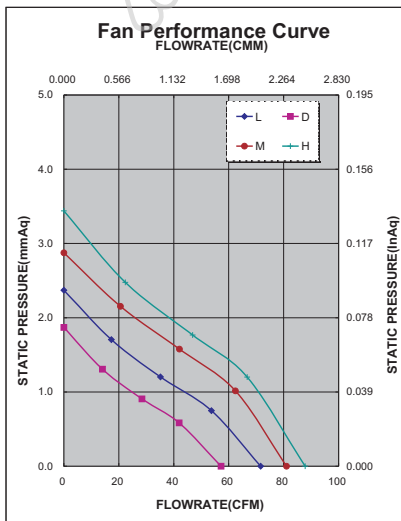
## Specifications(Nominal)

\*Noise is measured at the distance of one (1) meter from the axis of intake.

Bearing type: ◎=Ball ※=Sleeve ○=1B1S ●=Hypro bearing

Frame size (mm)	Model No.	Bearing System Type	Rated Voltage (VDC)	Current (A)	Power (W)	Rated Speed (rpm)	Maximum AirFlow (CMM)	Maximum AirFlow (CFM)	Maximum Pressure (InAq)	Maximum Pressure (mmAq)	*Noise Level (dB/A)	Weight (g)
120x120x25	AQ1212DB-A71GL	◎	12	0.11	1.32	1500	1.618	57.205	0.074	1.879	27.4	156.0
	AQ1212LB-A71GL	◎	12	0.15	1.80	1800	2.032	71.806	0.093	2.362	34.3	
	AQ1212MB-A71GL	◎	12	0.16	1.92	2050	2.293	81.054	0.113	2.870	38.0	
	AQ1212HB-A71GL	◎	12	0.29	3.48	2200	2.486	87.870	0.134	3.403	39.1	
	AQ1224DB-A71GL	◎	24	0.06	1.44	1500	1.618	57.205	0.074	1.879	27.4	
	AQ1224LB-A71GL	◎	24	0.08	1.92	1800	2.032	71.806	0.093	2.362	34.3	
	AQ1224MB-A71GL	◎	24	0.11	2.64	2050	2.293	81.054	0.113	2.870	38.0	
	AQ1224HB-A71GL	◎	24	0.13	3.12	2200	2.486	87.870	0.134	3.403	39.1	

Specifications subject to change without notice.



\*Motor protective circuit and third lead wire functions

0	1	2	3	4	6	7	8	9	A	B
	✓	✓	✓							

\*Safety approvals

✓	✓		✓	✓