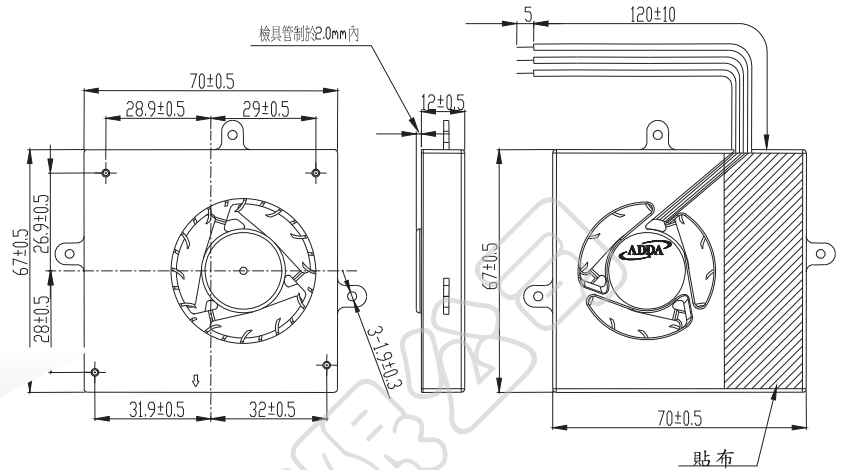




# AB7012 SERIES

## External Dimensions



Frame: Aluminum alloy  
 Impeller: Plastic (UL: 94V-0)  
 Lead wire: UL1571AWG28

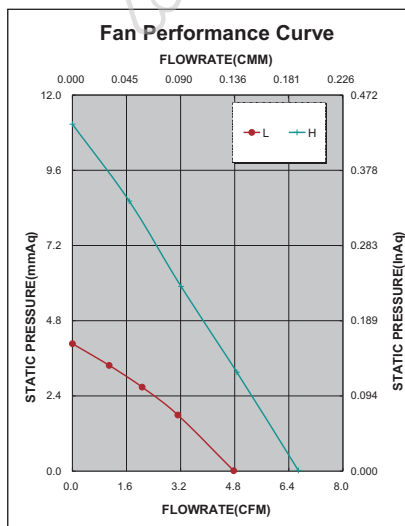
## Specifications(Nominal)

\*Noise is measured at the distance of one (1) meter from the axis of intake.

Bearing type: ◎=Ball ※=Sleeve ○=1B1S ●=Hypro bearing

| Frame size (mm) | Model No.    | Bearing System Type | Rated Voltage (VDC) | Current (A) | Power (W) | Rated Speed (rpm) | Maximum AirFlow (CMM) | Maximum AirFlow (CFM) | Maximum Pressure (InAq) | Maximum Pressure (mmAq) | *Noise Level (dB/A) | Weight (g) |
|-----------------|--------------|---------------------|---------------------|-------------|-----------|-------------------|-----------------------|-----------------------|-------------------------|-------------------------|---------------------|------------|
| 70x70x12        | AB7012LB-E01 | ◎                   | 12                  | 0.06        | 0.72      | 2900              | 0.135                 | 4.772                 | 0.160                   | 4.064                   | 24.0                | 35.0       |
|                 | AB7012HB-E01 | ◎                   | 12                  | 0.15        | 1.80      | 3800              | 0.189                 | 6.681                 | 0.436                   | 11.074                  | 34.0                |            |

Specifications subject to change without notice.



\*Motor protective circuit and third lead wire functions

| 0 | 1 | 2 | 3 | 4 | 6 | 7 | 8 | 9 | A | B |
|---|---|---|---|---|---|---|---|---|---|---|
|   | ✓ |   |   |   |   |   |   |   |   |   |

\*Safety approvals

| UL | cUL | SA | RoHS | CE |
|----|-----|----|------|----|
| ✓  | ✓   |    | ✓    | ✓  |