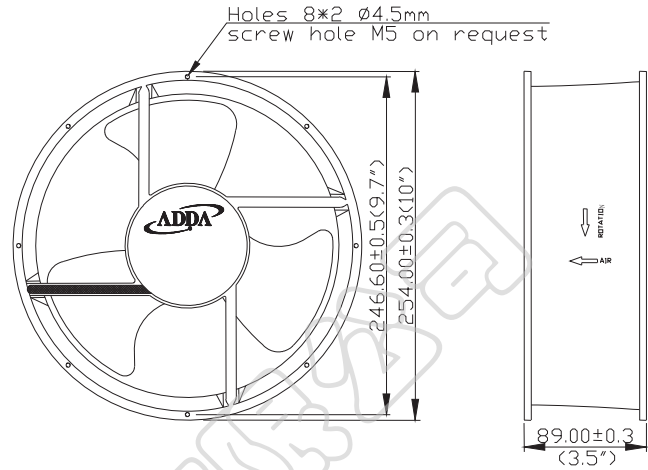




# AX25489 SERIES

## External Dimensions



Frame: Aluminum Alloy  
 Impeller: Plastic (UL: 94V-0)  
 Lead wire: AWG22 UI1015  
 Motor: Capacitor-Run Induction Motor  
 OPERATING TEMP\*: -10C~70C  
 \*: -10C~60C for fans with sleeve/ball combination bearings.

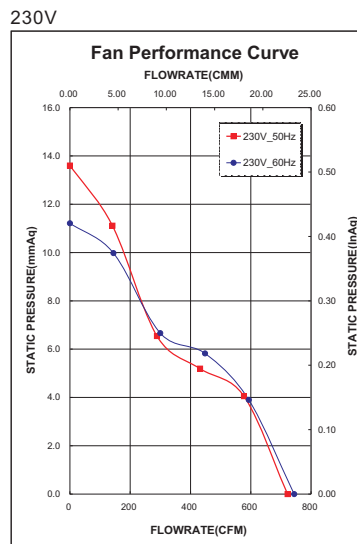
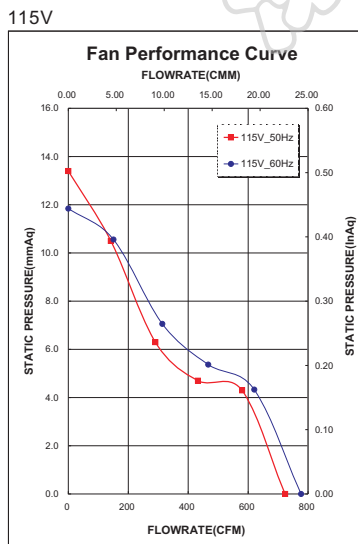
## Specifications(Nominal)

\*: Noise is measured at the distance of one (1) meter from the axis of intake.

Bearing type: ◎=Ball ※=Sleeve ○=1B1S ●=Hypro bearing

Frame size (mm)	Model No.	Bearing System Type	Volt./Freq. (VAC/Hz)	Current (A)	Power (W)	Rated Speed (rpm)	Maximum AirFlow (CMM)	Maximum AirFlow (CFM)	Maximum Pressure (InAq)	Maximum Pressure (mmAq)	*Noise Level (dB/A)	Weight (g)
254x89	AX25891HB-C	◎	115/50	0.68	78.40	2400	20.376	720.0	0.530	13.40	80.0	2150
			115/60	0.85	98.30	2500	21.225	750.0	0.450	11.84	88.0	
	AX25892HB-C	◎	230/50	0.35	79.60	2400	20.376	720.0	0.530	13.40	80.0	
			230/60	0.42	97.60	2500	21.225	750.0	0.450	11.84	88.0	

Specifications subject to change without notice.



\*Safety approvals  
115V

✓	✓			

230V

			✓	✓