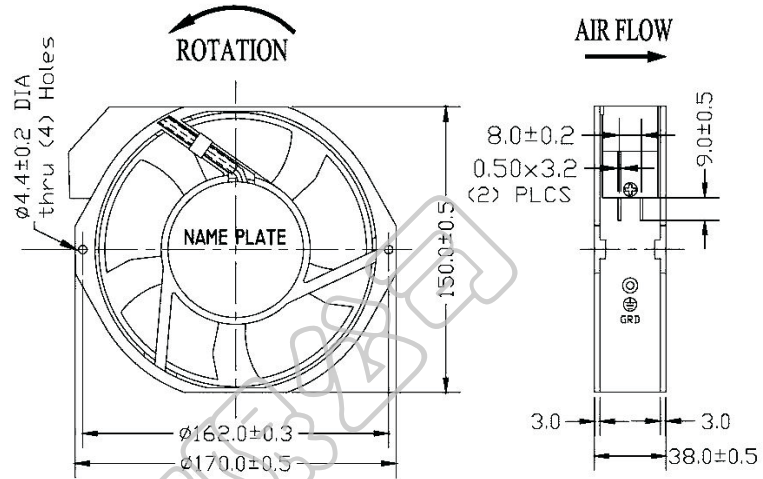




# AX17238 SERIES

## External Dimensions



Frame: Aluminum Alloy  
 Impeller: Plastic (UL:94V-0)  
 Motor Structure: Capacitor-Run Induction Motor.  
 Motor Protection: Thermal Protect.  
 Lead wire: UL1015 AWG22  
 OPERATING TEMP\*:  $-10^{\circ}\text{C} \sim 70^{\circ}\text{C}$   
 \*:  $-10^{\circ}\text{C} \sim 60^{\circ}\text{C}$  for fans with sleeve/ball combination bearings.

## Specifications(Nominal)

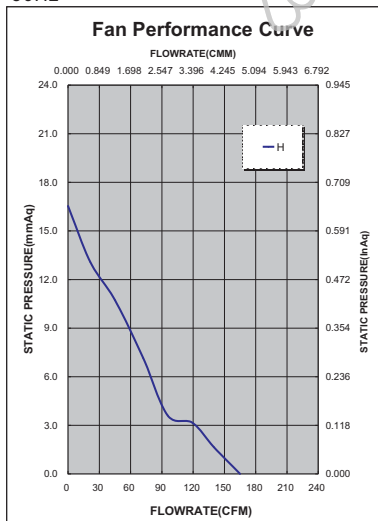
\*Noise is measured at the distance of one (1) meter from the axis of intake.

Bearing type:  $\odot$ =Ball  $\otimes$ =Sleeve  $\circ$ =1B1S  $\bullet$ =Hypro bearing

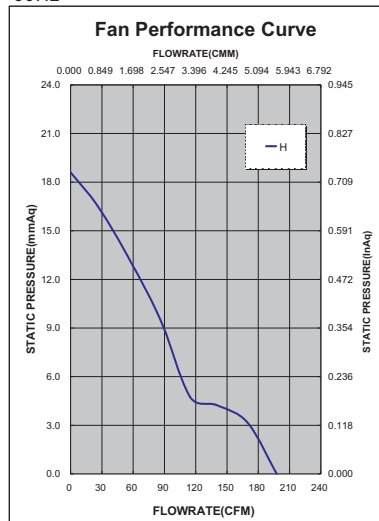
Frame size (mm)	Model No.	Bearing System Type	Volt. (VAC)	Freq. (Hz)	Current (A)	Power (W)	Rated Speed (rpm)	Maximum AirFlow (CMM)	Maximum AirFlow (CFM)	Maximum Pressure (InAq)	Maximum Pressure (mmAq)	*Noise Level (dB/A)	Weight (g)
172x150x38	AX17382HB-C	$\odot$	230	50/60	0.14/0.14	32.00/32.00	2850/3400	4.669/5.546	165.0/195.0	0.643/0.742	16.332/18.846	57.0/61.0	760

Specifications subject to change without notice.

50Hz



60Hz



\*Safety approvals

