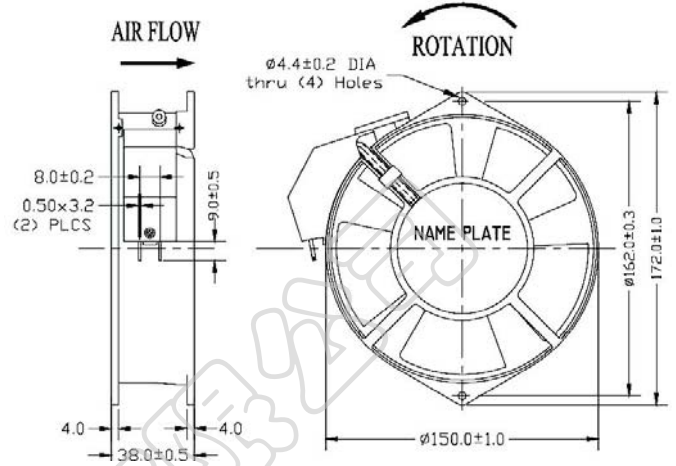




AX16238 SERIES

External Dimensions



Frame: Aluminum Alloy
 Impeller: Plastic (UL: 94V-0)
 Motor Structure: Capacitor-Run Induction Motor.
 Motor Protection: Thermal Protect.
 Lead wire: UL 1015 AWG22
 OPERATING TEMP*: -10°C~70°C
 *: -10°C~60°C for fans with sleeve/ball combination bearings.

Specifications(Nominal)

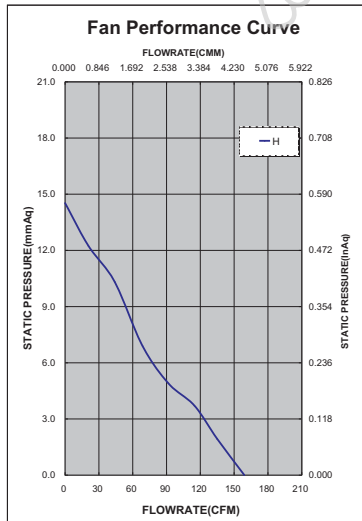
*: Noise is measured at the distance of one (1) meter from the axis of intake.

Bearing type: ◎=Ball ※=Sleeve ○=1B1S ●=Hypro bearing

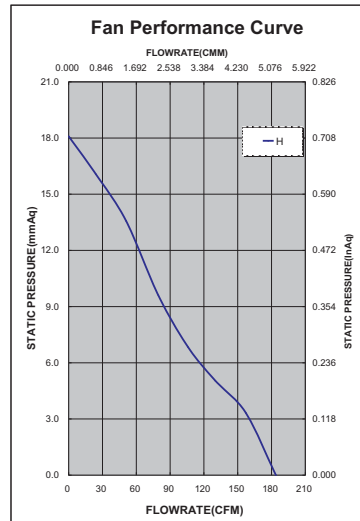
Frame size (mm)	Model No.	Bearing System Type	Volt. (VAC)	Freq. (Hz)	Current (A)	Power (W)	Rated Speed (rpm)	Maximum AirFlow (CMM)	Maximum AirFlow (CFM)	Maximum Pressure (InAq)	Maximum Pressure (mmAq)	*Noise Level (dB/A)	Weight (g)
162x150x38	AX15382HB-C	◎	230	50/60	0.14/0.14	29.90/29.90	2850/3400	4.528/5.207	160.0/184.0	0.572/0.712	14.528/18.084	57.0/61.0	710

Specifications subject to change without notice.

50Hz



60Hz



*Safety approvals
230V

✓	✓		✓	✓