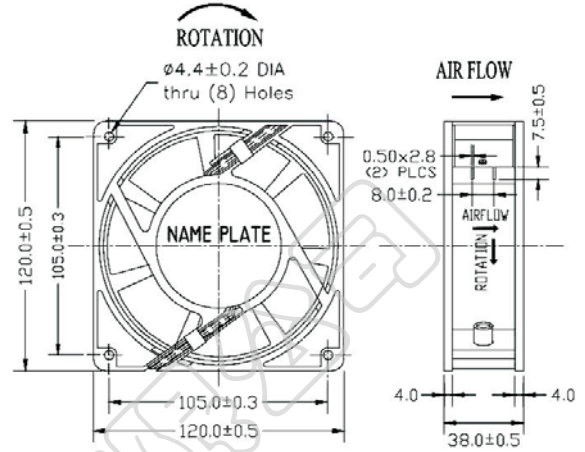




AX12038 SERIES

External Dimensions



Frame: Aluminum Alloy
 Impeller: Plastic (UL: 94V-0)
 Lead wire: UL1430 AWG24
 OPERATING TEMP*: -10C~70C
 *: -10C~60C for fans with sleeve/ball combination bearings.

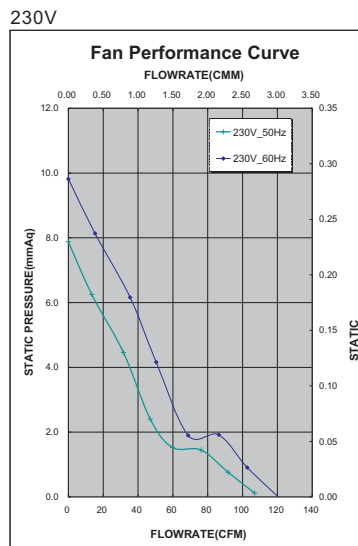
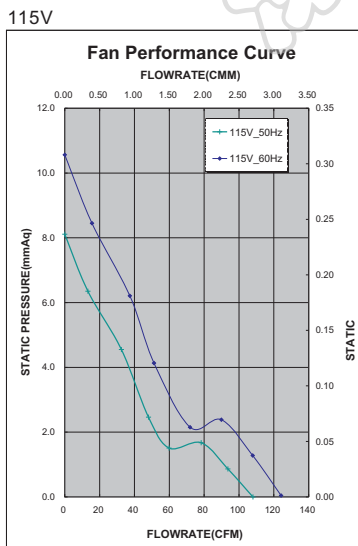
Specifications(Nominal)

*: Noise is measured at the distance of one (1) meter from the axis of intake.

Bearing type: ◎=Ball ※=Sleeve ○=1B1S ●=Hypro bearing

Frame size (mm)	Model No.	Bearing System Type	Volt./Freq. (VAC/Hz)	Current (A)	Power (W)	Rated Speed (rpm)	Maximum AirFlow (CMM)	Maximum AirFlow (CFM)	Maximum Pressure (InAq)	Maximum Pressure (mmAq)	*Noise Level (dB/A)	Weight (g)
120x120x38	AX12381HB-C	◎	115/50	0.20	22.60	2700	3.046	108.0	0.319	8.103	43.0	504
			115/60	0.19	21.80	3100	3.497	124.0	0.416	10.566	47.0	
	AX12382HB-C	◎	230/50	0.09	21.60	2600	3.017	107.0	0.310	7.874	43.0	
			230/60	0.09	20.70	3000	3.401	120.6	0.386	9.804	47.0	

Specifications subject to change without notice.



*Safety approvals
115V

✓	✓			

230V

✓	✓		✓	✓