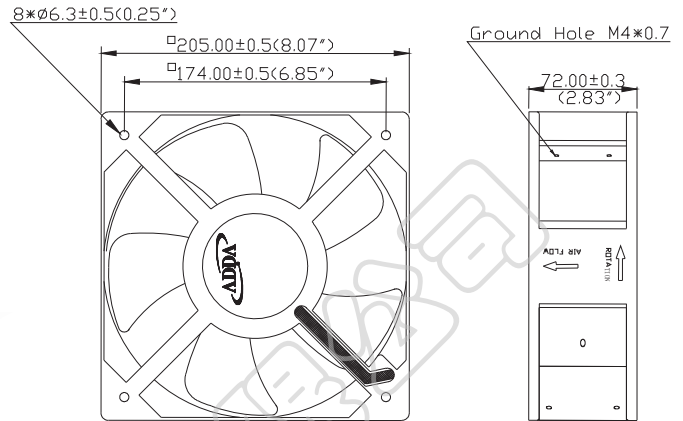




AK207 SERIES

External Dimensions



Frame: Aluminum Alloy
 Impeller: Plastic (UL: 94V-0)
 Lead wire: UL1430AWG22
 OPERATING TEMP*: -10C~70C
 *:-10C~60C for fans with sleeve/ball combination bearings.

Specifications(Nominal)

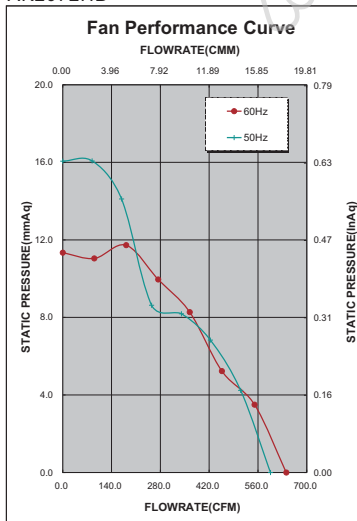
*: Noise is measured at the distance of one (1) meter from the axis of intake.

Bearing type: ◎=Ball ※=Sleeve ○=1B1S ●=Hypro bearing

Frame size (mm)	Model No.	Bearing System Type	Volt./Freq. (VAC/Hz)	Current (A)	Power (W)	Rated Speed (rpm)	Maximum AirFlow (CMM)	Maximum AirFlow (CFM)	Maximum Pressure (InAq)	Maximum Pressure (mmAq)	*Noise Level (dB/A)	Weight (g)
205x205x72	AK2071HB	◎	110/50	0.61	70.50	2800	16.980	600.00	0.928	23.57	71.9±2	2100
			110/60	0.88	101.40	3200	18.791	664.00	0.476	12.09	74.9±2	
	AK2072HB	◎	220/50	0.31	71.10	2800	17.263	610.00	0.974	27.74	72.0±2	
			220/60	0.44	100.70	3200	19.527	690.00	0.652	16.56	75.4±2	

Specifications subject to change without notice.

AK2072HB



*Safety approvals

✓	✓		✓	✓