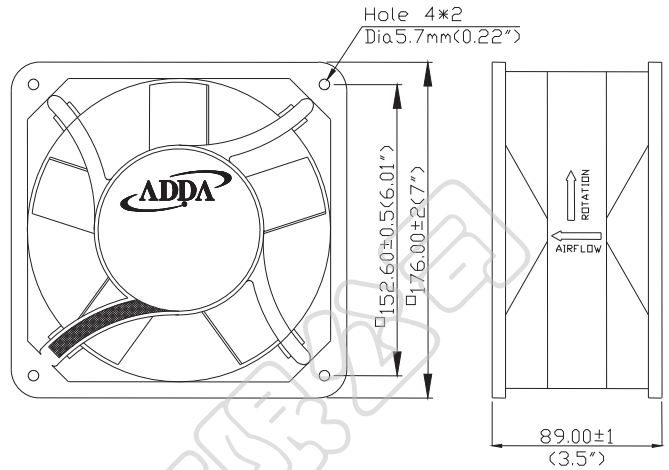




# AK178 SERIES

## External Dimensions



Frame: Aluminum Alloy  
 Impeller: Plastic (UL: 94V-0)  
 Lead wire: UL 1430 AWG 22  
 OPERATING TEMP\*: -10C~70C  
 \*: -10C~60C for fans with sleeve/ball combination bearings.

## Specifications (Nominal)

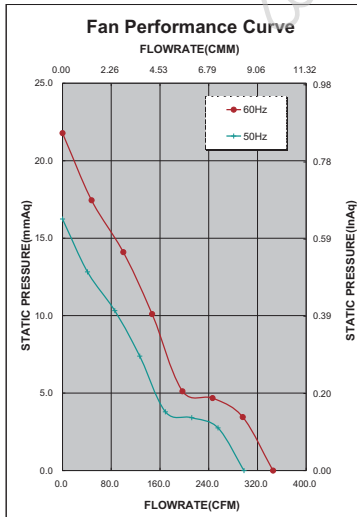
\*Noise is measured at the distance of one (1) meter from the axis of intake.

Bearing type: ◎=Ball ※=Sleeve ○=1B1S ●=Hypro bearing

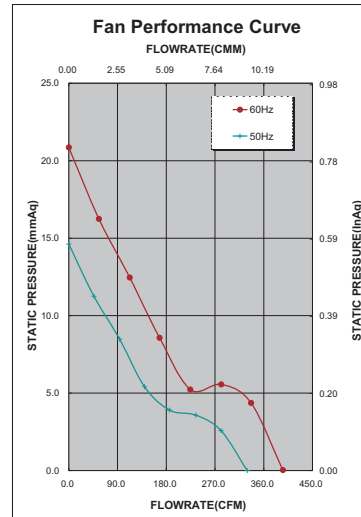
Frame size (mm)	Model No.	Bearing System Type	Volt./Freq. (VAC/Hz)	Current (A)	Power (W)	Rated Speed (rpm)	Maximum AirFlow (CMM)	Maximum AirFlow (CFM)	Maximum Pressure (InAq)	Maximum Pressure (mmAq)	*Noise Level (dB/A)	Weight (g)
176x176x89	AK1781HB	◎	100-120/50	0.48	55.10	2800	8.490	300.00	0.639	16.23	66.4±2	1800
		○	100-120/60	0.52	62.30	3200	9.764	345.00	0.858	21.79	70.0±2	
	AK1782HB	◎	200-240/50	0.20	46.90	2650	9.334	329.40	0.575	14.60	67.8±2	
		○	200-240/60	0.22	51.50	3200	11.201	395.30	0.821	20.90	71.8±2	

Specifications subject to change without notice.

AK1781HB



AK1782MB



\*Safety approvals

✓	✓		✓	✓