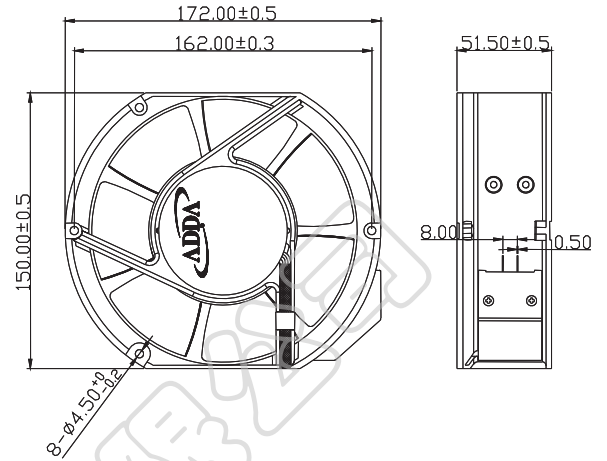




# AA17251-NSC SERIES

## External Dimensions



Frame: Aluminum Alloy  
 Impeller: Plastic (UL: 94V-0)  
 Motor Structure: Capacitor-Run Induction Motor.  
 Motor Protection: Thermal Protect.  
 Lead wire: UL 1430 AWG22  
 OPERATING TEMP\*: -10°C~70°C  
 \*: -10°C~60°C for fans with sleeve/ball combination bearings.

## Specifications(Nominal)

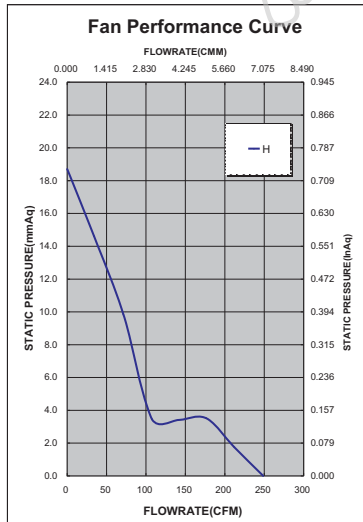
\*Noise is measured at the distance of one (1) meter from the axis of intake.

Bearing type: ◎=Ball ※=Sleeve ○=1B1S ●=Hypro bearing

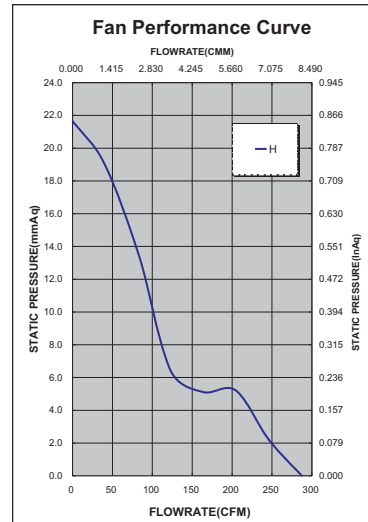
Frame size (mm)	Model No.	Bearing System Type	Volt. (VAC)	Freq. (Hz)	Current (A)	Power (W)	Rated Speed (rpm)	Maximum AirFlow (CMM)	Maximum AirFlow (CFM)	Maximum Pressure (InAq)	Maximum Pressure (mmAq)	*Noise Level (dB/A)	Weight (g)
172x150x51	AA1751HB	◎	115	50/60	0.42/0.43	47.00/49.00	2800/3200	7.018/8.122	248.0/287.0	0.736/0.853	18.694/21.666	57.6/60.4	970

Specifications subject to change without notice.

50Hz



60Hz



\*Safety approvals

✓	✓		✓	✓